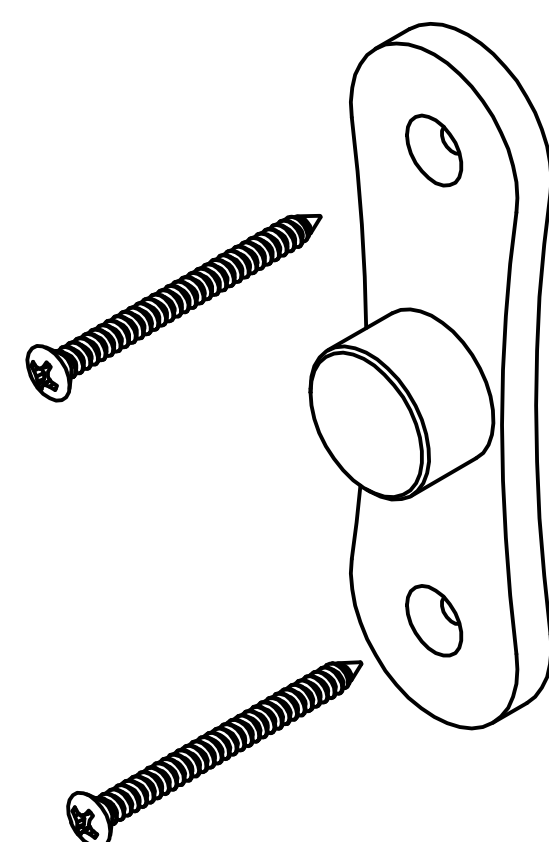




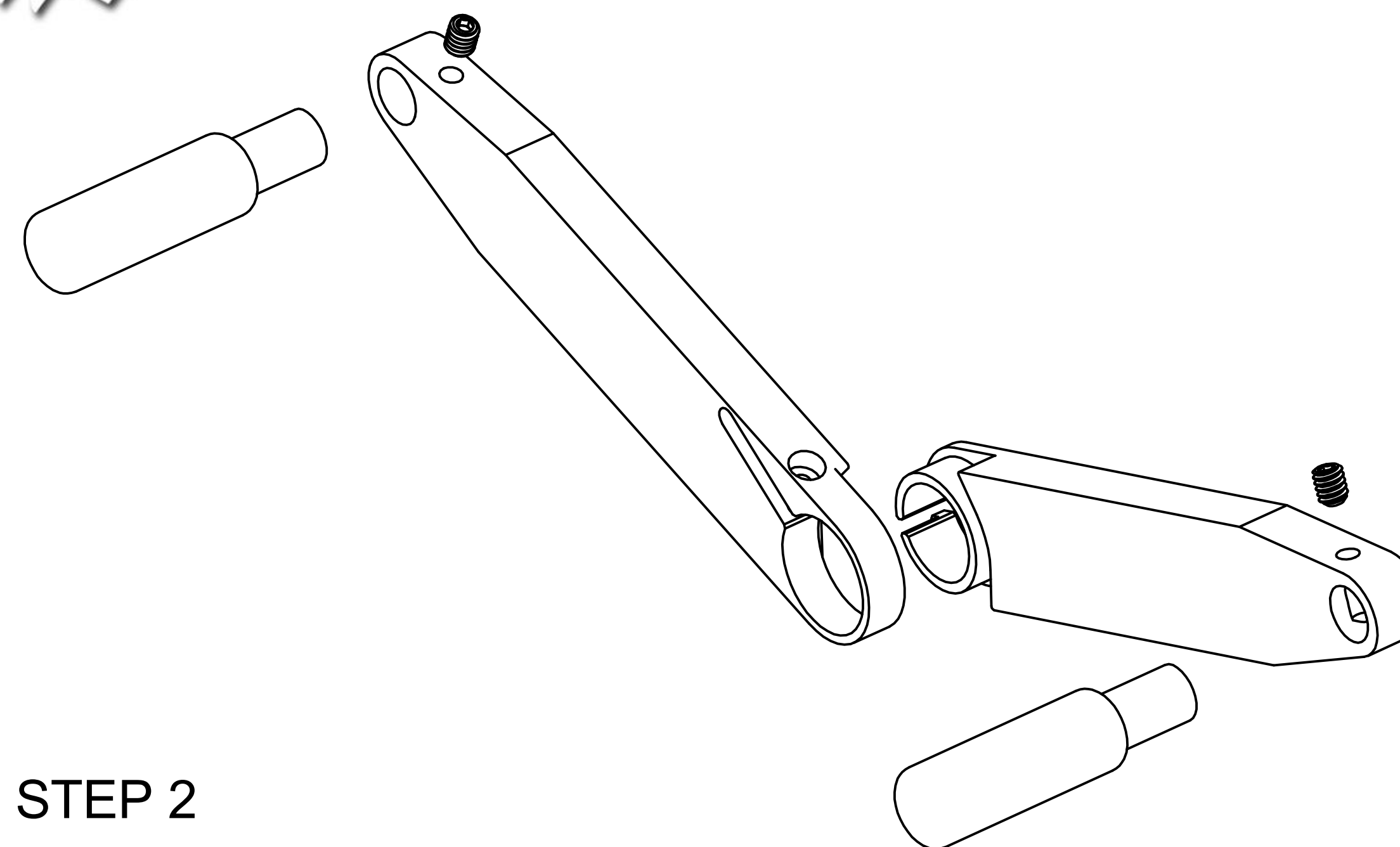
MachMare Mounts

Snowboard Mount



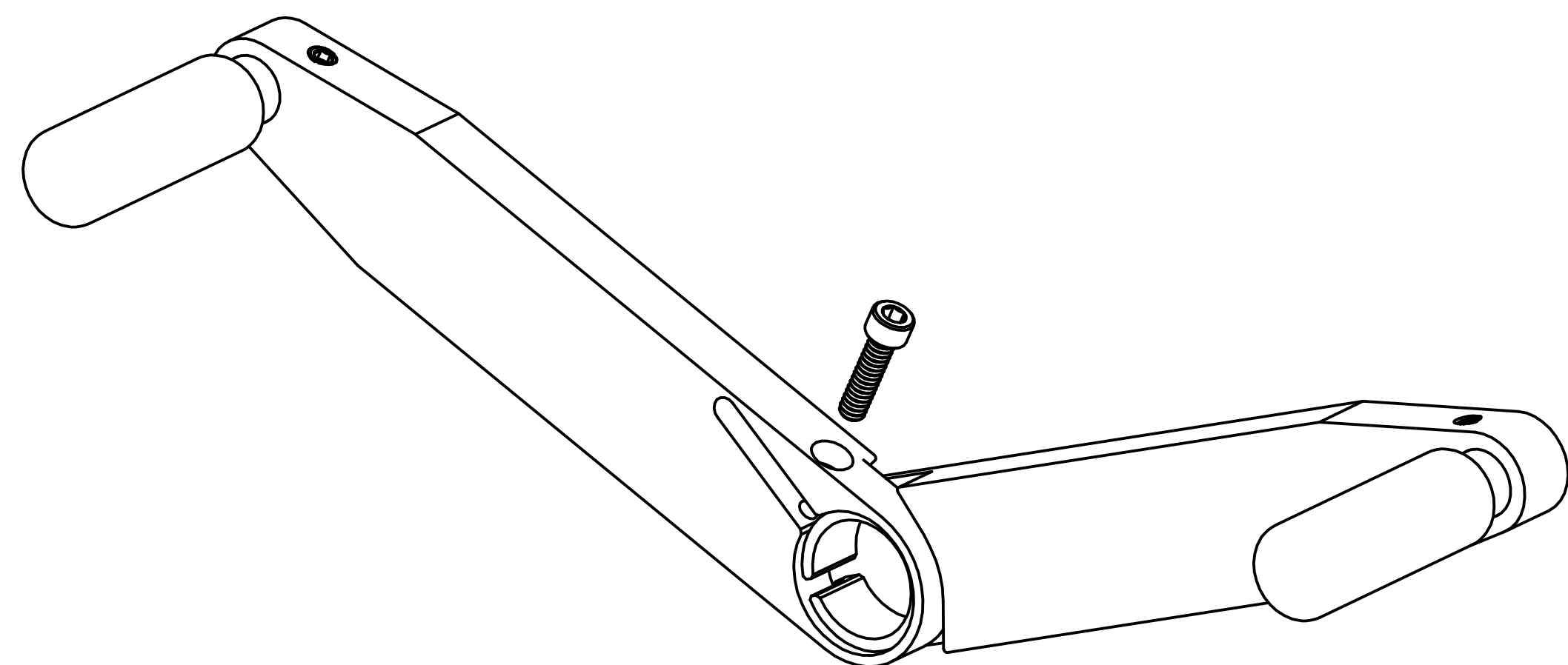
STEP 1

Use the (2) 2.00 inch wood screws to mount the Base Plate to a stud in your wall. Be careful to mount it straight up and down.



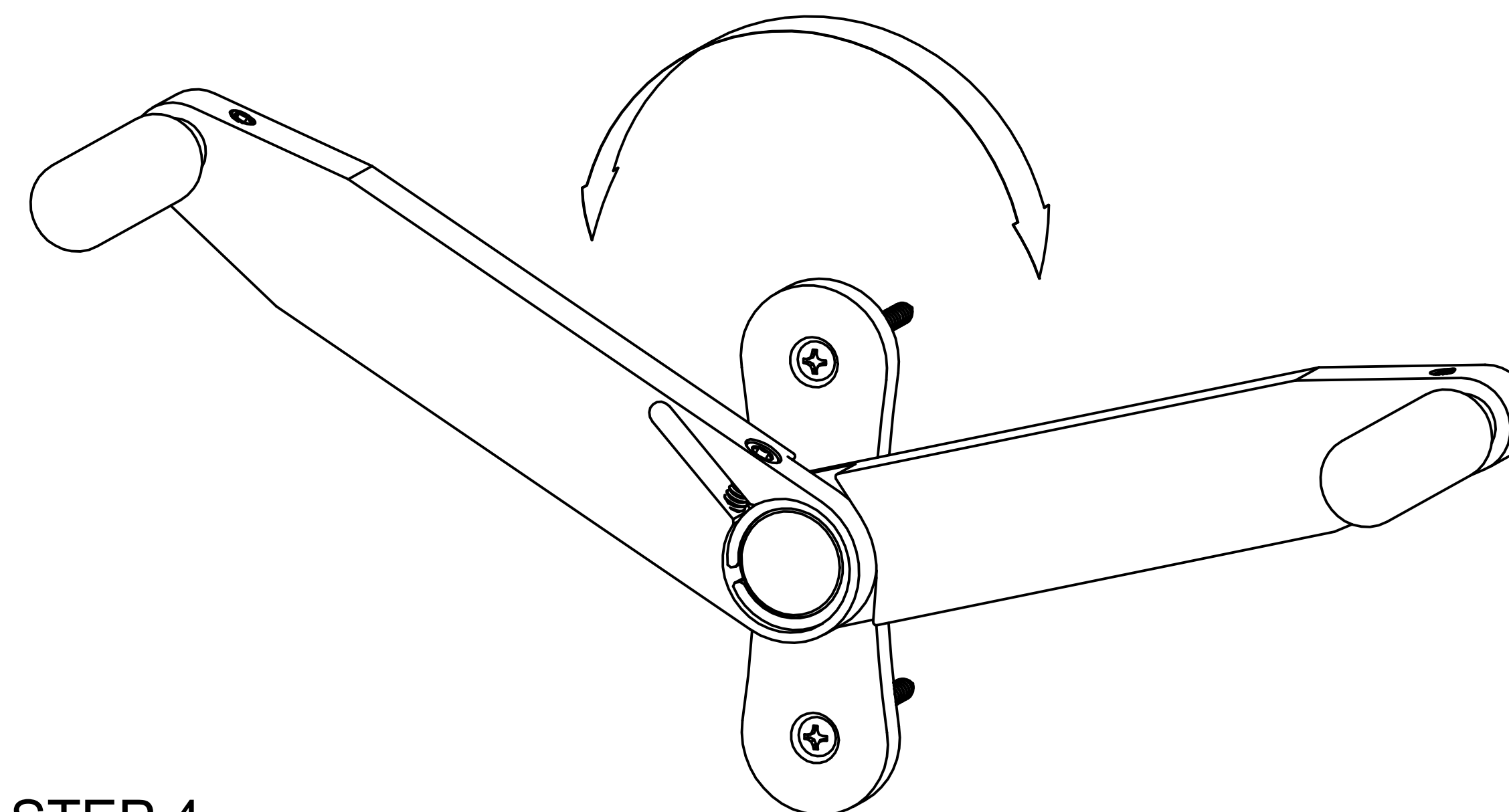
STEP 2

Place the Rubber Coated Rods into each Arm and make sure they are flush on the back side. Use the (2) 1/4-20 x $\frac{5}{16}$ set screws to secure the Rods in place.



STEP 3

Place the 1/4-20 x $\frac{3}{4}$ inch screw into the Slotted Arm and loosely tighten. Place the Slotted Arm onto the opposite Arm as shown.



STEP 4

Place the Arm Assembly over the Base Plate stud. Rotate the Arms to the desired width to accept your board width. Tighten the 1/4-20 x $\frac{3}{4}$ inch screw to secure the Arms and Base Plate.