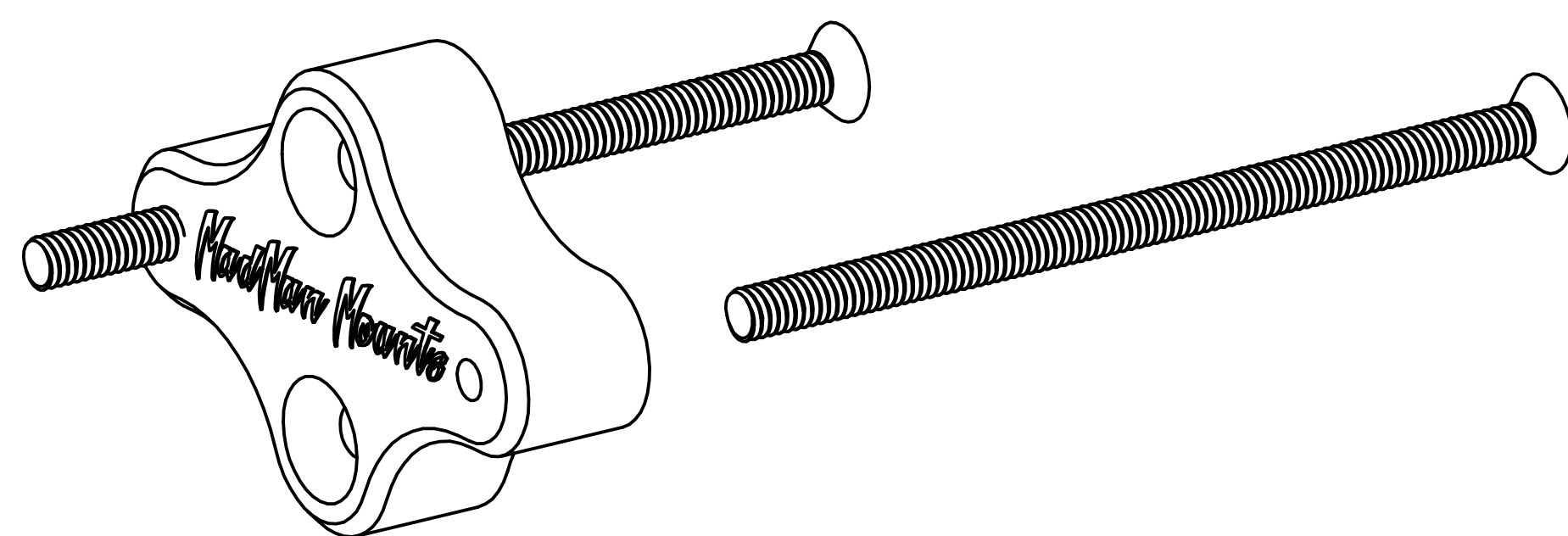




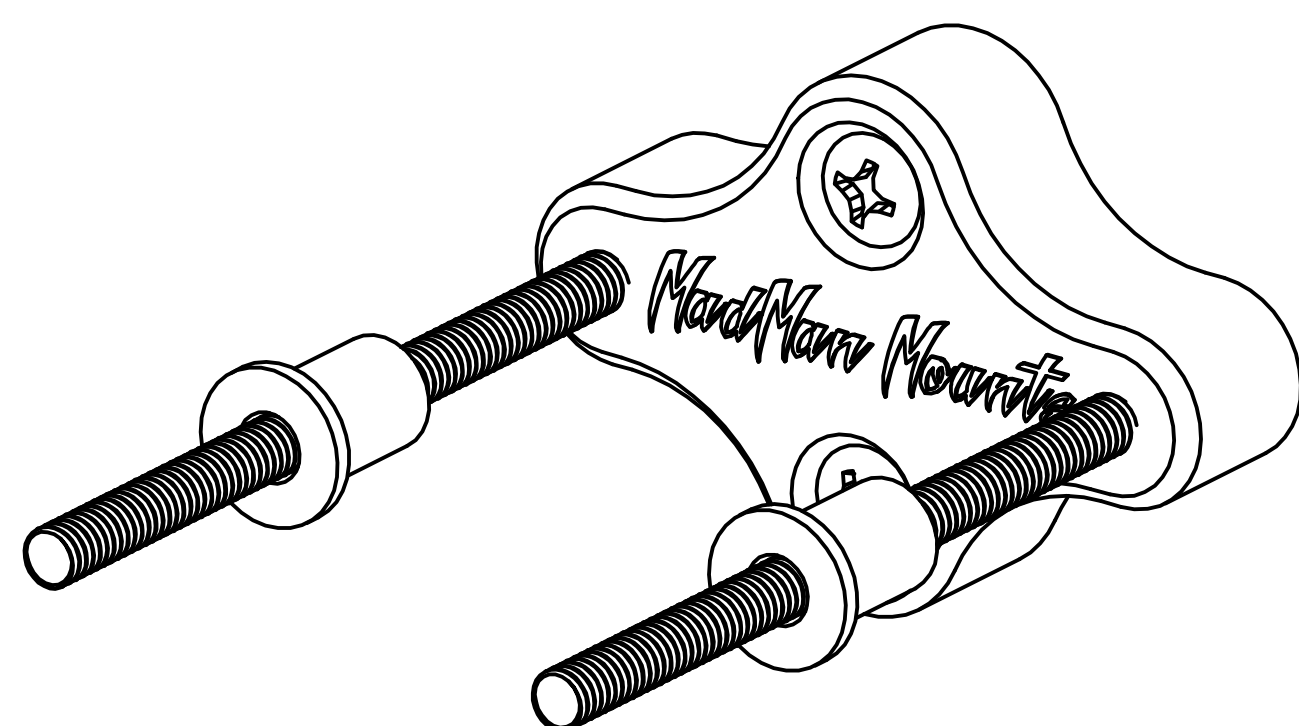
MachMan Mounts

Deck Display Mount



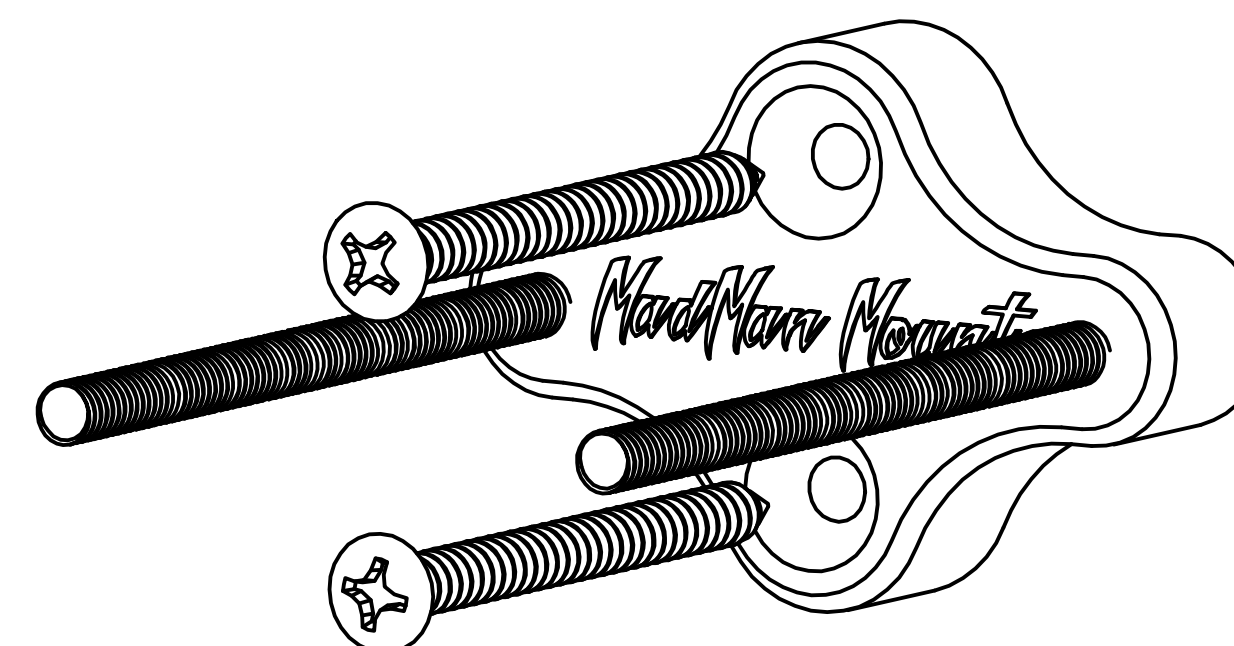
STEP 1

Install the (2) #8-32 x 3.00 inch screws into the threaded holes in the back side of the Mount Plate until they bottom out and are tight.



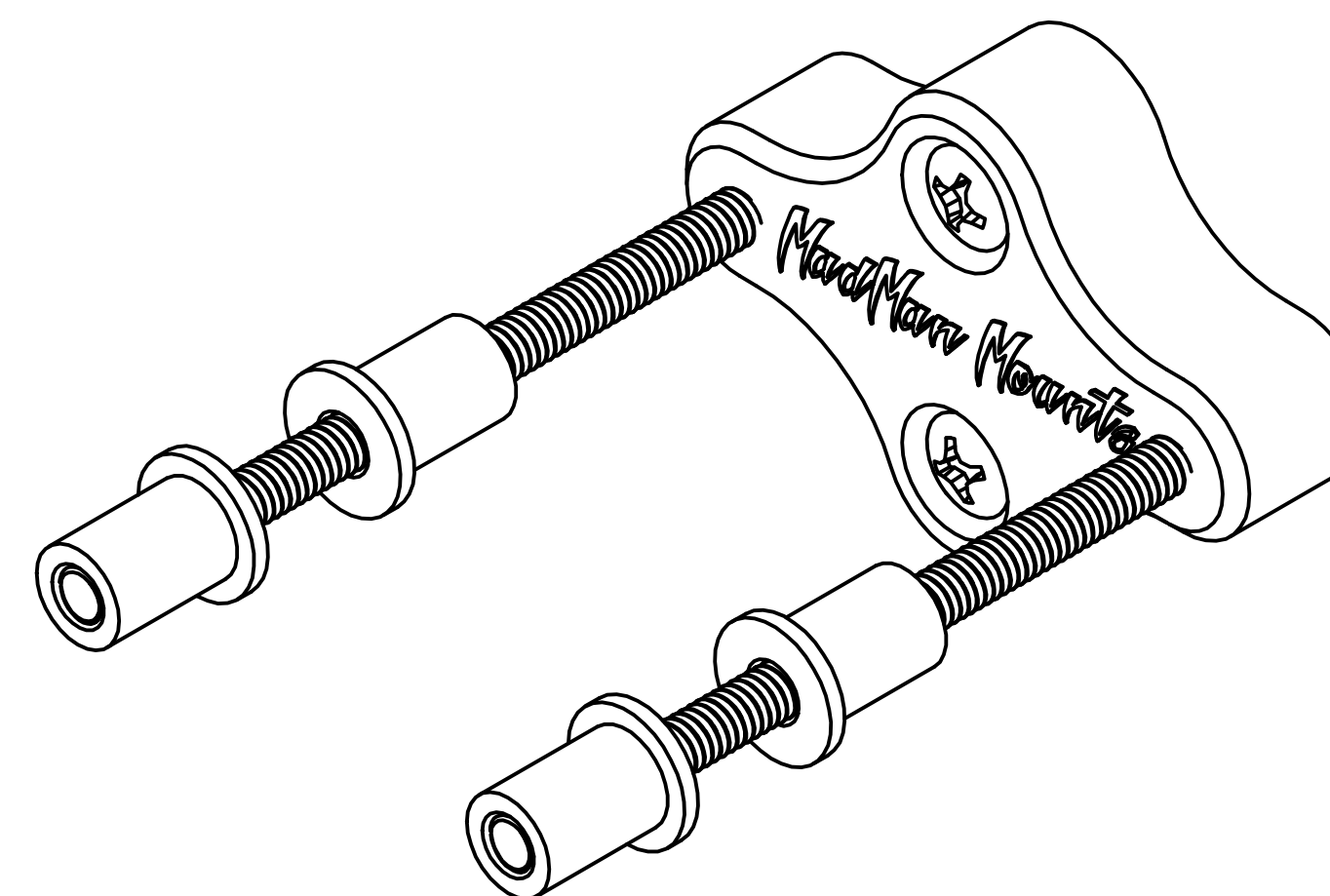
STEP 3

Screw two of the rubber nuts onto the #8-32 x 3.00 inch screws approximately 1.00 inch as shown with the wider end towards the front.



STEP 2

Use the (2) 2.00 inch wood screws to mount the Base Plate to a stud in your wall. Be careful to mount it level.



STEP 4

Place your skateboard onto the #8-32 screws through the two top truck mounting holes. Secure the skateboard using the remaining two rubber nuts with the wider end towards the skateboard.